

# DM-WALL-70



The DM-WALL-70 is a water-proof wall mount bracket with a neat and integrated design, simple application, and built from sturdy material. It is an ideal choice for many setups due to its effective design and ease of application.

# SPECIFICATIONS

## MECHANICAL

**Dimensions (W x D x H)** 160 x 122 x 76 mm

**Weight** 1.08 lbs (0.49 kg)

**Load Bearing** 2.20 lbs (1 kg)

**Material** Aluminum

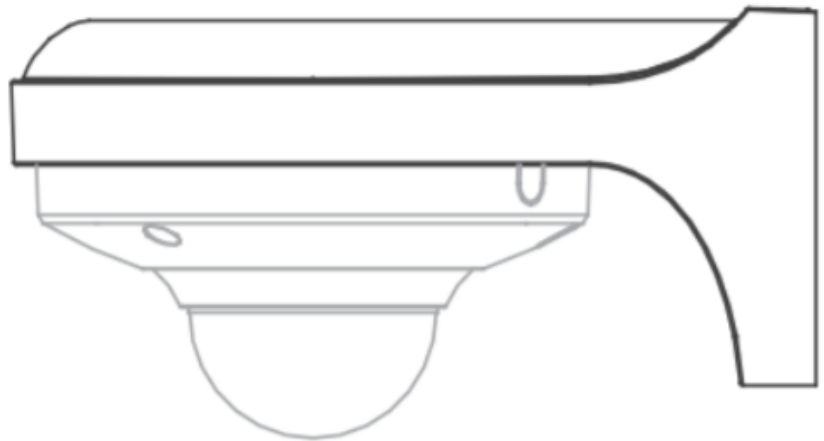
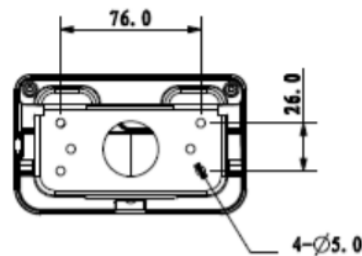
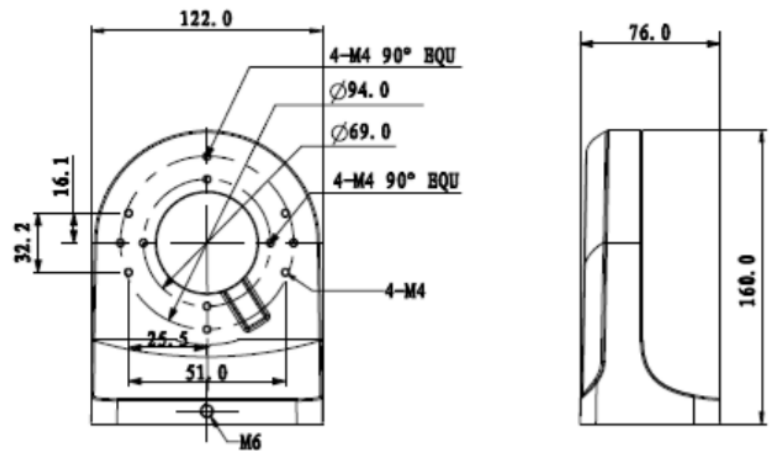
## ENVIRONMENTAL

**Operating Temperature** -40° to 60° C (-40° to 140° F)

**Humidity** <90% RH

## WARRANTY

Minimum 3 Year Parts and Labor



*Sentry 360 Security, Inc. reserves the right to change products or specifications without notice.*