

DM-POLE-B



The DM-POLE-B is a pole mount bracket with a neat and integrated design, simple application, and built from sturdy material. It is an ideal choice for many setups due to its effective design and ease of application.

SPECIFICATIONS

MECHANICAL

Dimensions (W x H x D) 117.5 x 87 x 21 mm

Weight 0.29 lbs (0.13 kg)

Mast Diameter 80 – 130 mm

Load Bearing 6.61 lbs (3 kg)

Material Aluminum

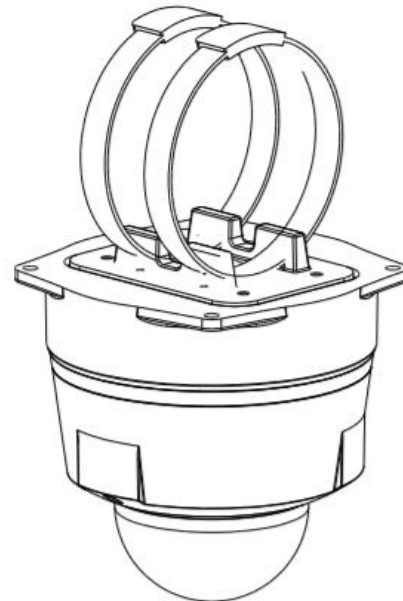
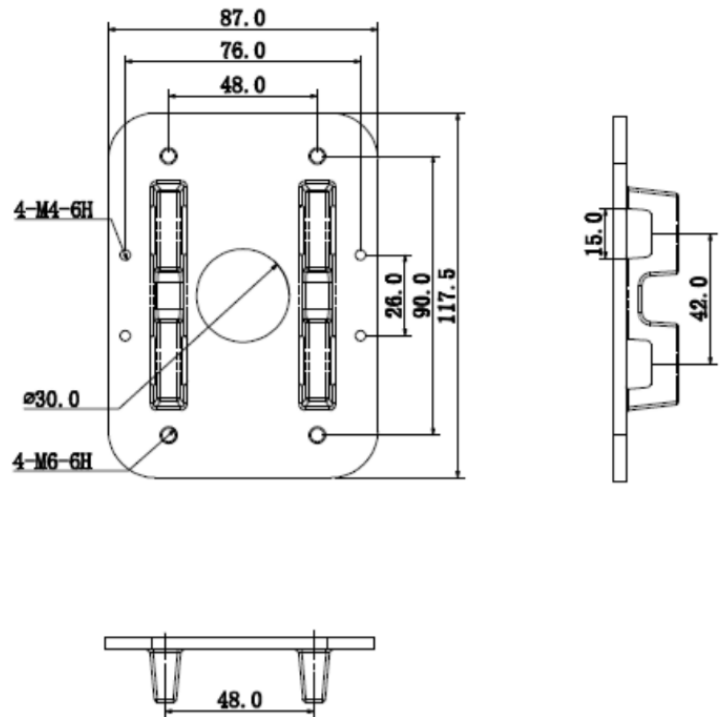
ENVIRONMENTAL

Operating Temperature -40° to 60° C (-40° to 140° F)

Humidity <90% RH

WARRANTY

Minimum 3 Year Parts and Labor



Sentry 360 Security, Inc. reserves the right to change products or specifications without notice.