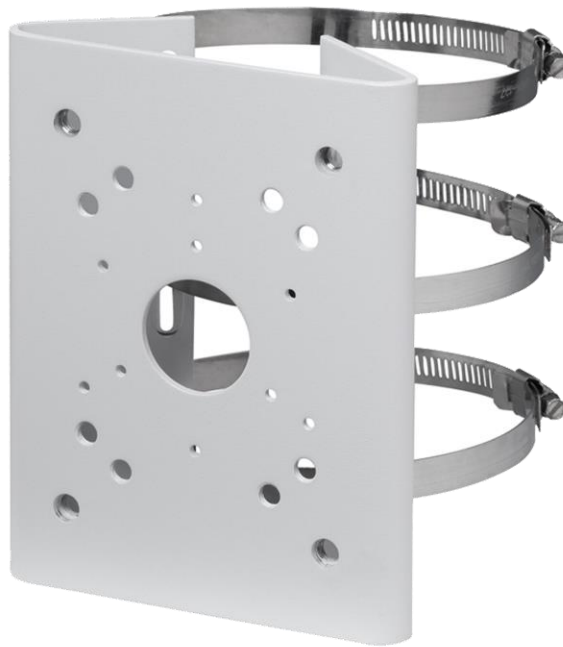


DM-POLE-A



The DM-POLE-A is a pole mount bracket with a neat and integrated design, simple application, and built from sturdy material. It is an ideal choice for many setups due to its effective design and ease of application.

SPECIFICATIONS

MECHANICAL

Dimensions (W x H x D) 130.4 x 170 x 45 mm

Weight 2.05 lbs (0.93 kg)

Load Bearing 22.05 lbs (10 kg)

Material SECC

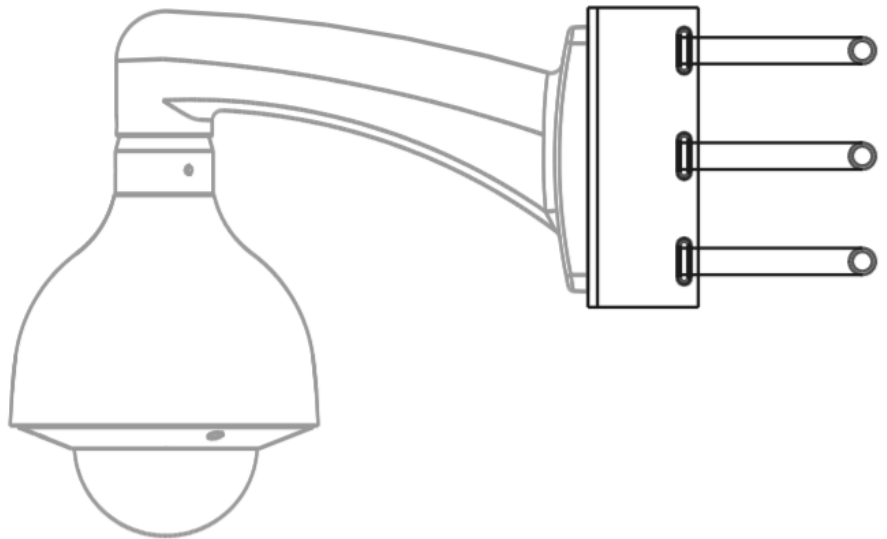
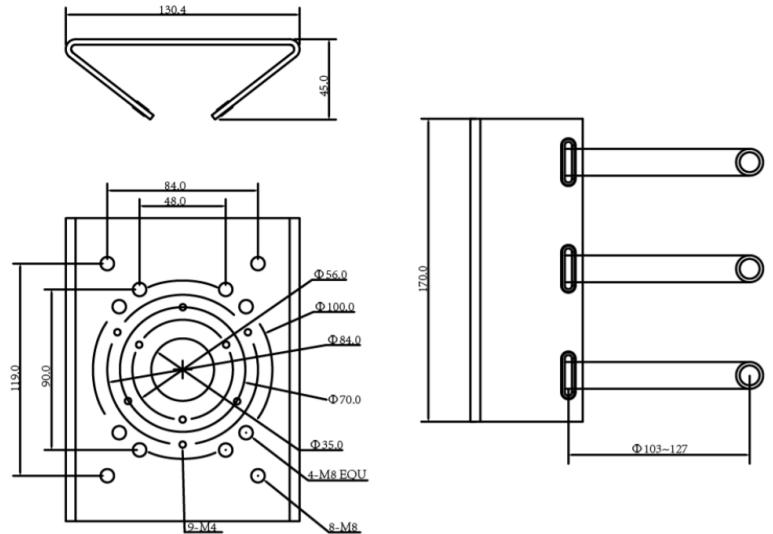
ENVIRONMENTAL

Operating Temperature -40° to 60° C (-40° to 140° F)

Humidity <90% RH

WARRANTY

Minimum 3 Year Parts and Labor



Sentry 360 Security, Inc. reserves the right to change products or specifications without notice.