

# DM-JBOX-B2



The DM-JBOX-B2 is a water-proof junction box with a neat and integrated design, simple application, and built from sturdy material. It is an ideal choice for many setups due to its effective design and ease of application.

# SPECIFICATIONS

## MECHANICAL

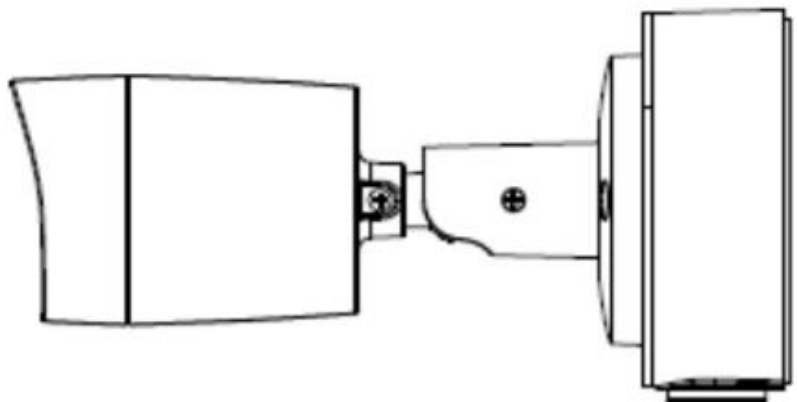
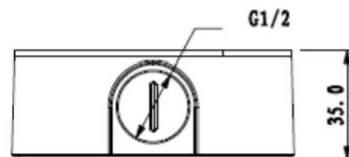
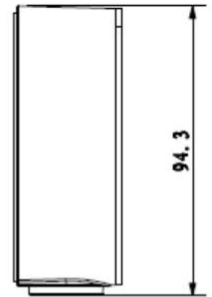
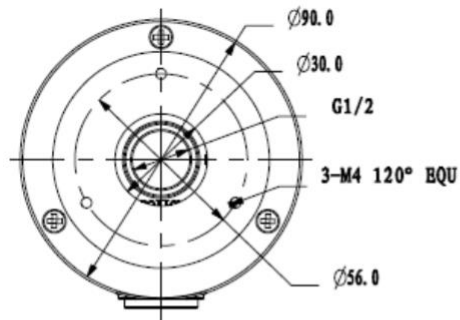
<b>Dimensions</b>	90 x 35 mm
<b>Weight</b>	0.48 lbs (0.22 kg)
<b>Inch Thread</b>	M20(G1/2")
<b>Load Bearing</b>	2.20 lbs (1 kg)
<b>Material</b>	Aluminum & SECC

## ENVIRONMENTAL

<b>Operating Temperature</b>	-40° to 60° C (-40° to 140° F)
<b>Humidity</b>	<90% RH

## WARRANTY

Minimum 3 Year Parts and Labor



*Sentry 360 Security, Inc. reserves the right to change products or specifications without notice.*