

DM-JBOX-B1



The DM-JBOX-B1 is a water-proof junction box with a neat and integrated design, simple application, and built from sturdy material. It is an ideal choice for many setups due to its effective design and ease of application.

SPECIFICATIONS

MECHANICAL

Dimensions (W x D x H) 134 x 134 x 55 mm

Weight 1.21 lbs (0.55 kg)

Pipe Thread M20(G1/2")

Load Bearing 6.61 lbs (3 kg)

Material Aluminum

ENVIRONMENTAL

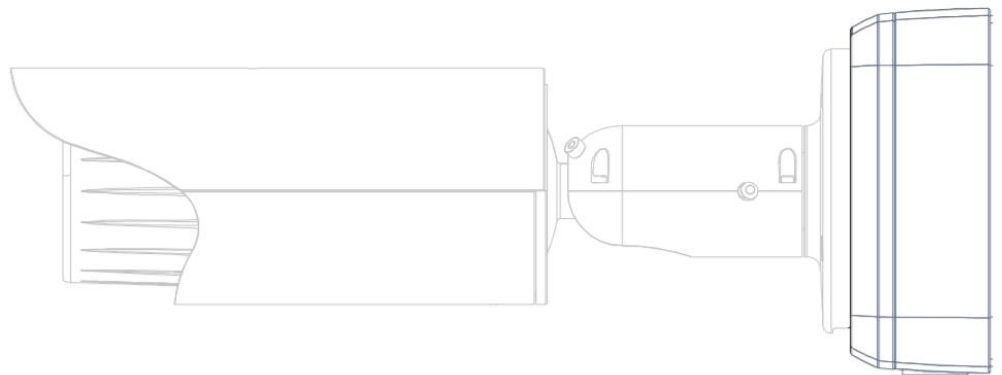
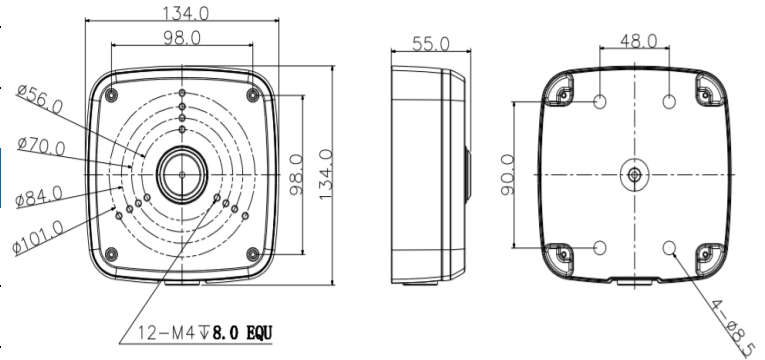
Operating Temperature -40° to 60° C (-40° to 140° F)

Humidity <90% RH

Weather Rating IP66

WARRANTY

Minimum 3 Year Parts and Labor



Sentry 360 Security, Inc. reserves the right to change products or specifications without notice.