

DM-JBOX-70



The DM-JBOX-70 is a water-proof junction box with a neat and integrated design, simple application, and built from sturdy material. It is an ideal choice for many setups due to its effective design and ease of application.

SPECIFICATIONS

MECHANICAL

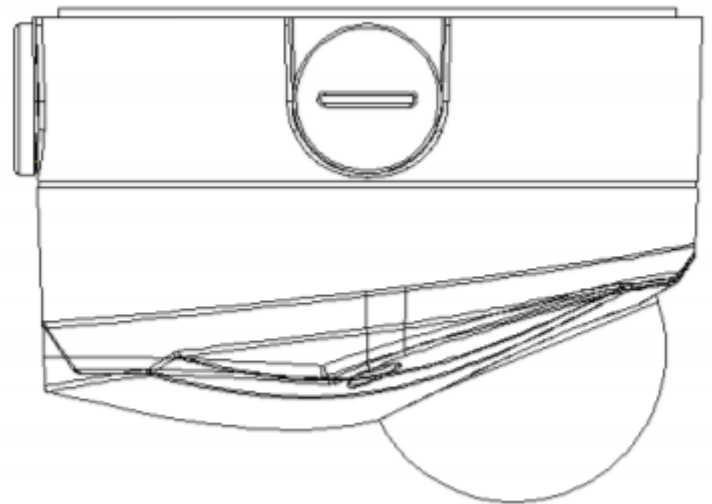
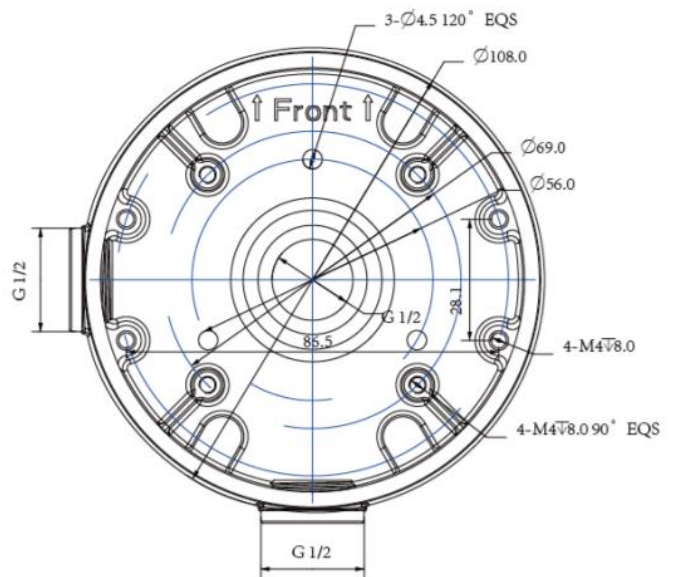
Dimensions	108 x 28.5 mm
Weight	0.35 lbs (0.16 kg)
Inch Thread	M20(G1/2")
Load Bearing	2.20 lbs (1.0 kg)
Material	Aluminum

ENVIRONMENTAL

Operating Temperature	-40° to 60° C (-40° to 140° F)
Humidity	<90% RH

WARRANTY

Minimum 3 Year Parts and Labor



Sentry 360 Security, Inc. reserves the right to change products or specifications without notice.