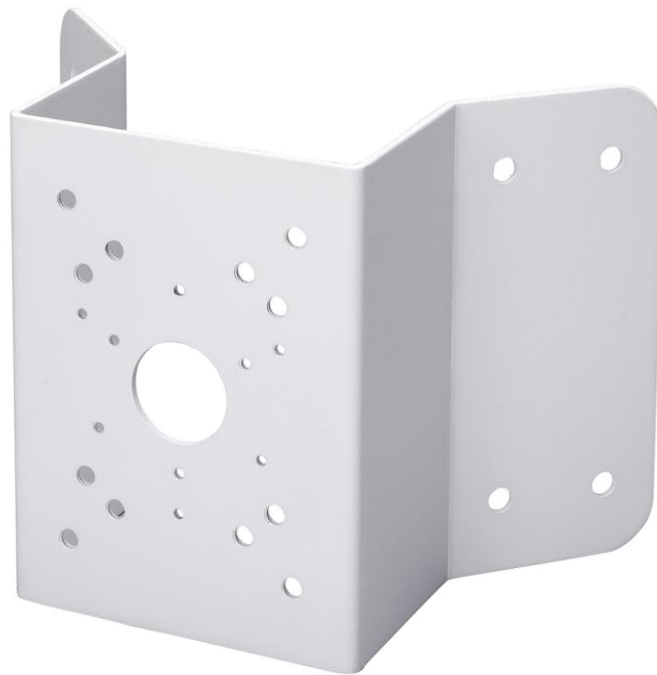


DM-CORNER



The DM-CORNER is a corner mount bracket with a neat and integrated design, simple application, and built from sturdy material. It is an ideal choice for many setups in corners due to its effective design and ease of application.

SPECIFICATIONS

MECHANICAL

Dimensions (W x D x H) 243 x 170 x 138 mm

Weight 3.75 lbs (1.7 kg)

Load Bearing 22.05 lbs (10 kg)

Material SECC

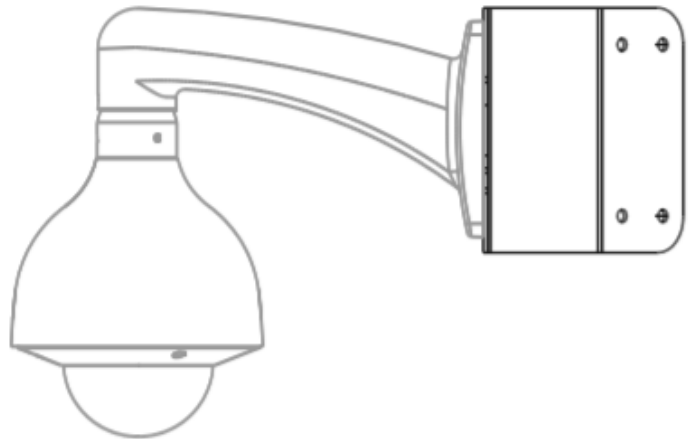
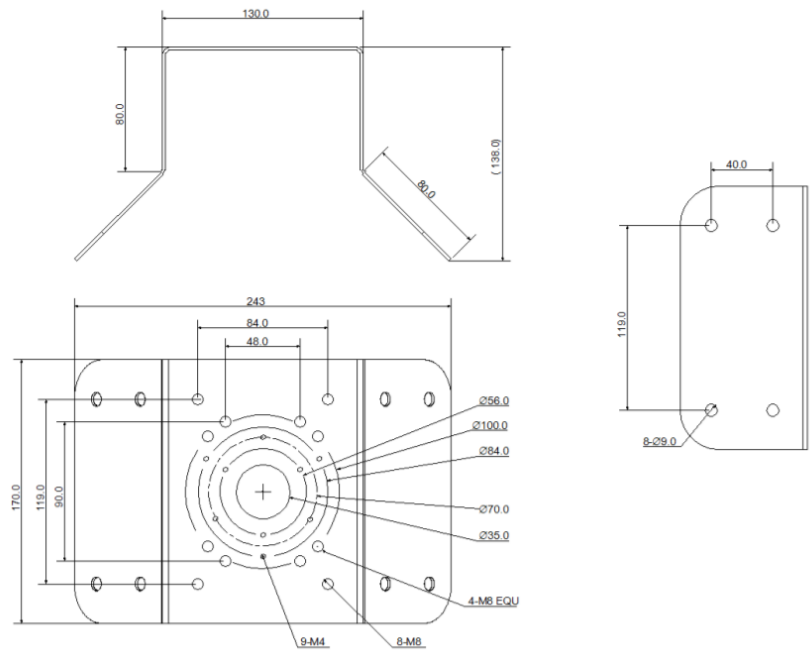
ENVIRONMENTAL

Operating Temperature -40° to 60° C (-40° to 140° F)

Humidity <90% RH

WARRANTY

Minimum 3 Year Parts and Labor



Sentry 360 Security, Inc. reserves the right to change products or specifications without notice.