

# DM-CEILING



The DM-CEILING is a ceiling mount bracket with a neat and integrated design, simple application, and built from sturdy material. It is an ideal choice for many setups on the ceiling due to it not being overly obtrusive and its effective application.

# SPECIFICATIONS

## MECHANICAL

**Dimensions** 133.6 x 235.5 mm

**Weight** 1.71 lbs (0.78 kg)

**Pipe Thread** G1 1/2"

**Load Bearing** 15.43 lbs (7 kg)

**Material** Aluminum & PC

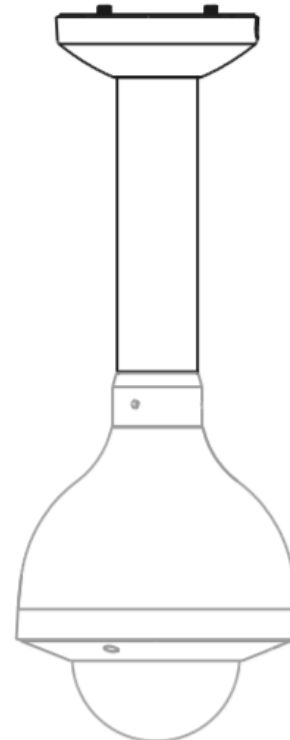
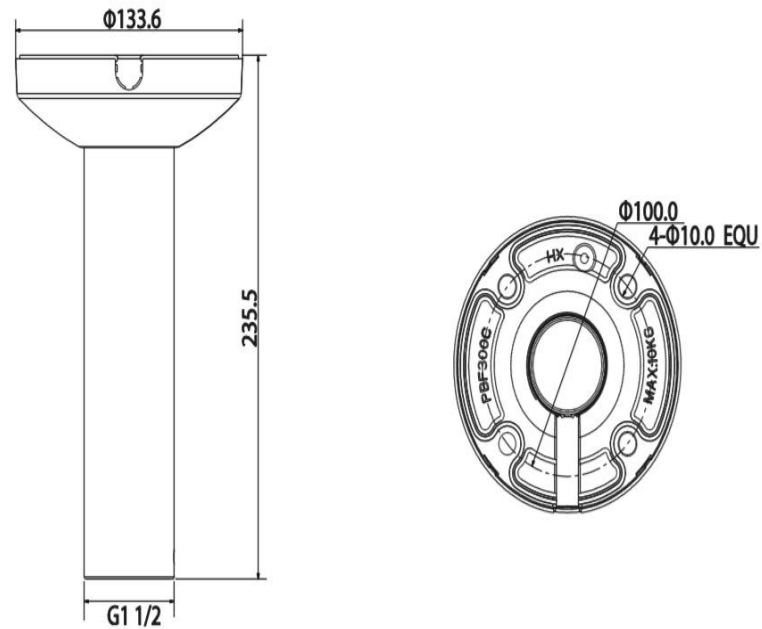
## ENVIRONMENTAL

**Operating Temperature** -40° to 60° C (-40° to 140° F)

**Humidity** <90% RH

## WARRANTY

Minimum 3 Year Parts and Labor



*Sentry 360 Security, Inc. reserves the right to change products or specifications without notice.*