

IS-DM270



The IS-DM270 is an ultra-compact 2.0MP HD IP network surveillance camera. The IS-DM270 was purposefully designed to be a discrete, cost-efficient, and unobtrusive security and surveillance solution for various applications. The IS-DM270, with its built in Edge Storage, is the perfect solution for both distributed and standalone surveillance systems. The IS-DM270 is a versatile piece of equipment that can be used in a variety of applications.

SPECIFICATIONS

CAMERA

Image Sensor	2.0 megapixel 1/3" CMOS	
Effective Pixels	1920 x 1080	
Minimum Illumination	Color:	B/W:
	0.1 Lux/F2.0	0 Lux/F2.0
Shutter Speed	~ 1 - 1/10000 sec	
Signal to Noise	>50dB	
Dynamic Range	120dB	

LENS

Lens Type	Fixed: 2.3 mm
F Number	F/2.0
Field of View	125°

OPERATION

Languages	English / French / German / Italian / Japanese / Korean / Portuguese / Russian / Simplified Chinese / Spanish / Traditional Chinese
Image Control	Backlight Compensation, Exposure (Auto / Manual), White Balance (Auto / Manual), 3D Noise Reduction, Shutter Wide Dynamic Range, Privacy Mask
Image Settings	Brightness, Sharpness, Contrast, Saturation, Hue
Pan / Tilt / Zoom	Digital PTZ
Audio	1/1 channel In/Out
SD Card	microSD 128 GB Support

EVENTS

Motion Detection	Multiple groups and windows
Alarms	Tampering, Network Failure Detection, Audio Detection
Event Notification	HTTP / FTP / SMTP

NETWORK

Interface	RJ-45, 10/100 Mbps Ethernet
Protocols	IPv4/IPv6, HTTP, HTTPS, SSL, TCP/IP, UDP, UPnP, ICMP, IGMP, SNMP, RTSP, RTP, SMTP, NTP, DHCP, DNS, PPPOE, DDNS, FTP, IP Filter, QoS, Bonjour, 802.1x, Onvif, PSIA, CGI
Security	HTTPS / IP Filter / IEEE 802.1X
Accounts	User and Administrator, Up to 20
Web Browser	Internet Explorer (6.0+) / Chrome / Firefox / Safari

STREAMING

Video Format	Three Streams, H.264, H.264H/H.264B, MJPEG	
Main Stream	Resolution	FPS
	1920 x 1080	30
	1280 x 1024	30
	1280 x 720	30
	1024 x 768	30
	800 x 600	30
	720 x 480	30
	640 x 480	30
	352 x 240	30

MECHANICAL

Gimbal	Single Axis	
IR Filter	Coated lens, TBD	
IR Illuminator	N/A	
Connectors	Alarm	1/1 Input / Output
	Power	PoE, DC12V
	Analog	N/A
Dimensions	106 x 50.3 mm (4.17 x 1.98 in)	
Weight	0.35 kg (0.77 lb)	

ELECTRICAL
Consumption <5 watts

Source DC12V, PoE 802.3af

ENVIRONMENTAL
Operating Temperature -30° to 60°C (-22° to 140°F)

Humidity <95%

Weather Rating IP67

Impact Rating IK10

REGULATORY
Certifications CE / FCC / RoHS

ACCESSORIES
DM-MK-1 Mounting Kit (Micro Dome)

DM-JBOX J-Box Adapter

DM-CORNER Corner Mount (DM-MK-1 and DM-PENDANT Required)

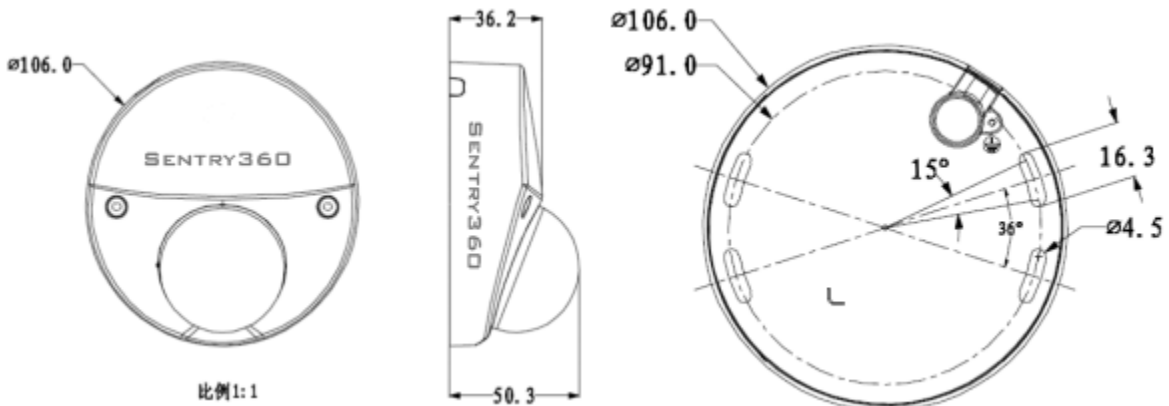
DM-CEILING Ceiling Mount (DM-MK-1 Required)

DM-POLE Pole Mount (DM-MK-1 and DM-PENDANT Required)

DM-PENDANT Pendant Wall Mount (DM-MK-1 Required)

WARRANTY

Minimum 3 Year Parts and Labor



Sentry 360 Security, Inc. reserves the right to change products or specifications