



# IS-DM230



The IS-DM230 is Sentry 360's next generation, impact resistant, 2.0 MP HD IP network camera. It has been designed for government and enterprise surveillance environments. The camera supports Smart H.264+ and MJPEG allowing it to offer superior image quality, while the end user is able to adjust each stream independently for storage management. The IS-DM230 can provide a 2MP real time stream with 2 shutter WDR, which is designed for high contrast environments with changing light. The compact design is ideal for surface mount installation. It supports industry standard conduit for outdoor applications. The modular design of the IS-DM230 provides class leading ease of installation. With a wide variety of attachments, the IS-DM230 can be used in almost every situation.

# SPECIFICATIONS

## CAMERA

<b>Image Sensor</b>	2.0 megapixel 1/3" CMOS	
<b>Effective Pixels</b>	1920 x 1080	
<b>Minimum Illumination</b>	Color:	B/W:
	0.01 Lux/F2.0	0.001 Lux/F2.0
<b>Shutter Speed</b>	~ 1/3(4) - 1/1000000 sec	
<b>Signal to Noise</b>	>50dB	
<b>Dynamic Range</b>	120dB	

## LENS

<b>Lens Type</b>	Fixed Lens
<b>Focal Length</b>	2.8MM
<b>F Number</b>	F2.0
<b>Field of View</b>	106°

## OPERATION

<b>Languages</b>	English / French / German / Italian / Japanese / Korean / Portuguese / Russian / Simplified Chinese / Spanish / Traditional Chinese
<b>Image Control</b>	Backlight Compensation, High Light Compensation, Exposure (Auto / Manual), White Balance (Auto / Manual), 3D Noise Reduction, Wide Dynamic Range, Privacy Mask
<b>Image Settings</b>	Brightness, Sharpness, Contrast, Saturation, Hue
<b>Pan / Tilt / Zoom</b>	Digital PTZ
<b>Audio</b>	Line in / Line out
<b>SD Card</b>	microSD 128GB Support

## EVENTS

<b>Motion Detection</b>	Multiple groups and windows
<b>Alarms</b>	Tampering, Network Failure Detection, Audio Detection, Input / Output
<b>Event Notification</b>	HTTP / FTP / SMTP

## NETWORK

<b>Interface</b>	RJ-45, 10/100 Mbps Ethernet
<b>Protocols</b>	IPv4/IPv6, HTTP, HTTPS, SSL, TCP/IP, UDP, UPnP, ICMP, IGMP, SNMP, RTSP, RTP, SMTP, NTP, DHCP, DNS, PPPOE, DDNS, FTP, IP Filter, QoS, Bonjour, 802.1x, Onvif, PSIA, CGI
<b>Security</b>	HTTPS / IP Filter / IEEE 802.1X
<b>Accounts</b>	User and Administrator, Up to 20
<b>Web Browser</b>	Internet Explorer (6.0+) / Chrome / Firefox / Safari

## STREAMING

<b>Video Format</b>	Smart H.264+, MJPEG	
<b>Main Stream</b>	<b>Resolution</b>	<b>FPS</b>
	1920 x 1080	30
	1280 x 1024	30
	1280 x 720	30
	1024 x 768	30
	800 x 600	30
	720 x 480	30
	640 x 480	30
	352 x 240	30
	720 x 480	30
	640 x 480	30
	352 x 240	30

## MECHANICAL

<b>Gimbal</b>	3-axis	
<b>IR Filter</b>	Mechanical cut	
<b>IR Illuminator</b>	24 LEDs, Auto/ Manual, Distance up to 30 M	
<b>Connectors</b>	Alarm	1/1 Input/Output
	Power	12Vac/PoE
	Analog Video	N/A
<b>Dimensions</b>	109.9 x 81 mm (4.33 x 3.19 in)	
<b>Weight</b>	0.38 kg (0.84 lb)	



### ELECTRICAL

**Consumption** <4 watts

**Source** DC 12/PoE 802.3af

### ENVIRONMENTAL

**Operating Temperature** -30° to 60°C (-22° to 140°F)

**Humidity** <90%

**Weather Rating** IP67

**Impact Rating** IK10

### REGULATORY

**Certifications** CE / FCC / UL Listed

### ACCESSORIES

**DM-MK-3** Mounting Kit (Vandal Dome)

**DM-RECESSED-2** Recessed Mount

**DM-JBOX** J-Box Adapter

**DM-CORNER** Corner Mount (Requires DM-Pendant)

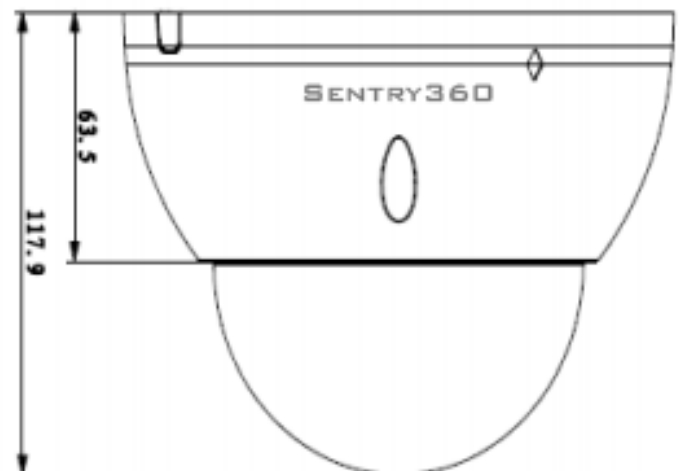
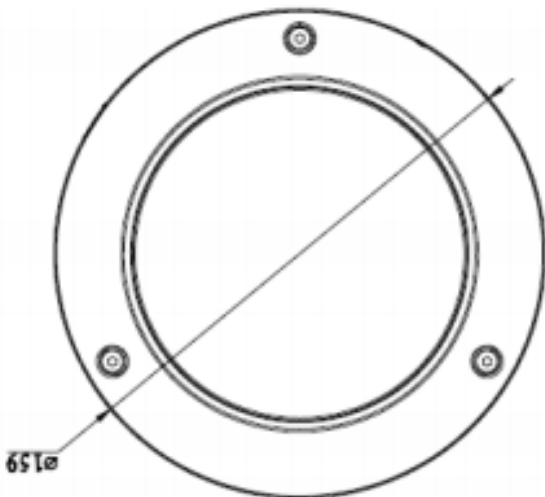
**DM-POLE** Pole Mount (Requires and DM-Pendant)

**DM-CEILING** Ceiling Mount (Requires DM-Pendant)

**DM-PENDANT** Pendant Wall Mount (Requires DM-MK-3)

### WARRANTY

Minimum 3 Year



*Sentry 360 Security, Inc. reserves the right to change products or specifications*