

FS-IP6180-V



The FS-IP6180-V camera is a 6.0 Megapixel resolution, 180° perspective, IP network surveillance camera. The FS-IP6180-V was purposefully designed to provide a full 180° view with no blind spots and no moving parts. The FS-IP6180-V, with its built in Edge Storage, is the perfect solution for both distributed and standalone surveillance systems. The FS-IP6180-V is a versatile tool that can be used in a variety of applications.

SPECIFICATIONS

CAMERA

Image Sensor	6.0 megapixel 1/1.8" CMOS	
Effective Pixels	2688 x 1520	
Minimum Illumination	Color:	B/W:
	0.01 lux/F2.0	0 lux/F2.0
Shutter Speed	~ 1/3(4) - 1/10000 sec	
Signal to Noise	>50 db	
Dynamic Range	120 db	

LENS

Lens Type	Fisheye: 1.55 mm f-theta
F Number	F/2.0
Field of View	180°

OPERATION

Languages	English / French / German / Italian / Japanese / Korean / Portuguese / Russian / Simplified Chinese / Spanish / Traditional Chinese
Image Control	Backlight Compensation, Exposure (Auto / Manual), White Balance (Auto / Manual), 3D Noise Reduction, Wide Dynamic Range, Privacy Mask
Image Settings	Brightness, Sharpness, Contrast, Saturation, Hue
Pan / Tilt / Zoom	Digital PTZ
Audio	1/1 channel In/Out(Built in Mic)
SD Card	microSD

EVENTS

Motion Detection	Multiple groups and windows
Alarms	Tampering, Network Failure Detection, Audio Detection, Input / Output
Event Notification	HTTP / FTP / SMTP

NETWORK

Interface	RJ-45, 10/100 Mbps Ethernet	
Protocols	HTTP, TCP, ARP, RTSP, RTP, UDP, RTCP, SMTP, FTP, DHCP, DNS, DDNS, PPPOE, IPv4/v6, SNMP, QoS, UPnP, NT, ONVIF, PSIA, NTP	
Security	HTTPS / IP Filter / IEEE 802.1X	
Accounts	User and Administrator, Up to 20	
Web Browser	Internet Explorer (6.0+) / Chrome / Firefox / Safari	

STREAMING

Video Format	Dual Stream: H.264, MJPEG	
Main Stream	Resolution	FPS
	2688 x 1520	20
Data Transmission	Data Rate	53.5 Mbps @ 1920 x 1080 MJPEG
	Data Rate	TBD
	H.264	
	Frame Rate	20 fps @ 2688 x 1520

MECHANICAL

Gimbal	N/A	
IR Filter	TBD	
IR Illuminator	3 LEDs, up to 10m	
Connectors	Alarm	2/1 channel In/Out
	Power	DC12V, POE (802.3at)
	Analog Video	N/A
Dimensions	5.9 x 2 in (150mm x 50.7mm)	
Weight	1.28 lbs (0.58 kg)	

ELECTRICAL

Consumption	<11 Watts
Source	DC 12V / PoE 802.3af

ENVIRONMENTAL

Operating Temperature	-30° to 60°C (-22° to 140°F)
Humidity	<95% Non-condensing
Weather Rating	IP67
Impact Rating	IK10

REGULATORY

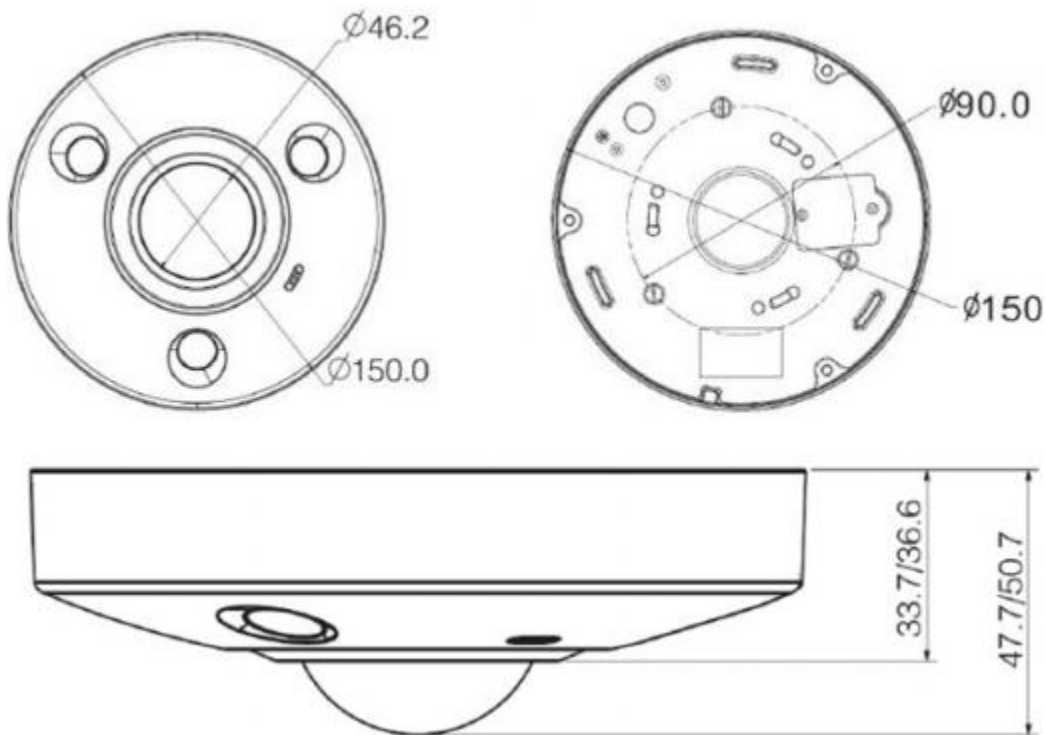
Certifications	CE / FCC / RoHS / UL Listed
-----------------------	-----------------------------

ACCESSORIES

DM-JBOX	J-Box Adapter
DM-MK-2	Mounting Kit
DM-CEILING	Ceiling mount (Requires DM-MK-2)
DM-CORNER	Corner mount (Requires DM-MK-2)
DM-POLE	Pole mount (Requires DM-MK-2)
DM-PENDANT	Pendant style wall mount (Requires DM-MK-2)

WARRANTY

Minimum 3 Year Parts and Labor



Sentry 360 Security, Inc. reserves the right to change products or specifications