

# FS-EX12180



The FS-EX12180 is Sentry 360's next generation, impact resistant, 180° full perspective, IP network camera. It has been designed for government and enterprise surveillance environments. The camera supports H.265 and H.264 allowing it to offer superior image quality while the end-user is able to adjust each stream independently for storage management. The FS-EX12180 can provide a 180° full perspective real time stream with 2 shutter WDR, which is designed for high contrast environments with changing light. The modular design of the IS-EX12180 provides class leading ease of installation. With a wide variety of attachments, the IS-EX12180 can be used in almost every situation.



# SPECIFICATIONS

## CAMERA

<b>Image Sensor</b>	12.0 megapixel 1/1.7" CMOS	
<b>Effective Pixels</b>	4000 x 3000	
<b>Minimum Illumination</b>	Color: .01Lux/F1.2	B/W: 0.001Lux/F1.2
<b>Shutter Speed</b>	~ 1/3 - 1/10000 sec	
<b>Dynamic Range</b>	<50db	

## LENS

<b>Lens Type</b>	Fisheye: 1.57 mm f-theta
<b>F Number</b>	F/2.2
<b>Field of View</b>	180°

## OPERATION

<b>Languages</b>	English / French / German / Italian / Japanese / Korean / Portuguese / Russian / Simplified Chinese / Spanish / Traditional Chinese
<b>Image Control</b>	Backlight Compensation, Exposure (Auto / Manual), White Balance (Auto / Manual), 3D Noise Reduction, Wide Dynamic Range, Privacy Mask
<b>Image Settings</b>	Brightness, Sharpness, Contrast, Saturation, Hue
<b>Pan / Tilt / Zoom</b>	Digital PTZ
<b>Audio</b>	1/1 channel In/Out, 1 Built in Mic
<b>SD Card</b>	microSD 128GB

## EVENTS

<b>Motion Detection</b>	Multiple groups and windows
<b>Alarms</b>	Tampering, Network Failure Detection, Audio Detection, Input / Output
<b>Event Notification</b>	HTTP / FTP / SMTP

## NETWORK

<b>Interface</b>	RJ-45, 10/100 Mbps Ethernet	
<b>Protocols</b>	HTTP, HTTPS, TCP, ARP, RTSP, RTP, UDP, SMTP, FTP, DHCP, DNS, DDNS, PPPOE, IPv4/v6, QoS, UPnP, NTP, Bonjour, 802.1x, Multicast, ICMP, IGMP, SNMP	
<b>Security</b>	HTTPS / IP Filter / IEEE 802.1X	
<b>Accounts</b>	User and Administrator, Up to 20	
<b>Web Browser</b>	Internet Explorer (6.0+) / Chrome / Firefox / Safari	

## STREAMING

<b>Video Format</b>	Dual Stream: H.264, H.265	
<b>Main Stream</b>	<b>Resolution</b>	<b>FPS</b>
	2688 x 1520	20
<b>Data Transmission</b>	Data Rate:	TBD
	MJPEG	
	Data Rate:	TBD
	H.264	
	Frame Rate	20 fps @ 2688x1520

## MECHANICAL

<b>Gimbal</b>	N/A	
<b>IR Filter</b>	TBD	
<b>IR Illuminator</b>	N/A	
<b>Connectors</b>	Alarm	2/1 channel In/Out
	Power	DC12V, PoE (802.3af)
	Video Interface	1 Port
<b>Dimensions</b>	135 x 74.4 x 65.5 mm (5.33 x 2.93 x 2.58 in)	
<b>Weight</b>	0.66 kg (1.46 lbs)	

**ELECTRICAL**

<b>Consumption</b>	<8 Watts
<b>Source</b>	DC12V / AC24V / PoE 802.3af

**ENVIRONMENTAL**

<b>Operating Temperature</b>	-30° to 60°C (-22° to 140°F)
<b>Humidity</b>	<95%
<b>Weather Rating</b>	IP67
<b>Impact Rating</b>	IK10

**REGULATORY**

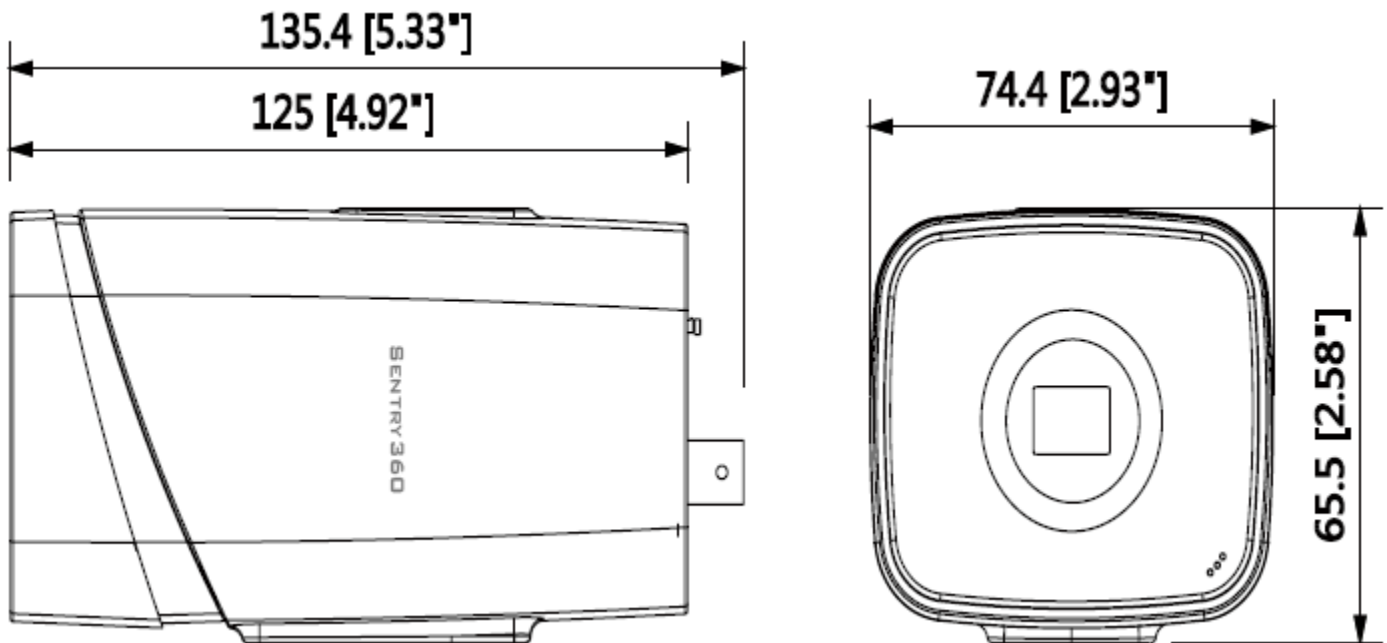
<b>Certifications</b>	CE / FCC / RoHS / UL Listed
-----------------------	-----------------------------

**ACCESSORIES**

<b>DM-JBOX</b>	Junction box adapter Plate
<b>DM-MK-2</b>	Mounting adapter
<b>DM-CORNER</b>	Corner mount (Requires DM-MK-2)
<b>DM-CEILING</b>	Ceiling mount (Requires DM-MK-2)
<b>DM-POLE</b>	Pole mount (Requires DM-MK-2)
<b>DM-PENDANT</b>	Pendant style wall mount (Requires DM-MK-2)

**WARRANTY**

Minimum 3 Year Parts and Labor



*Sentry 360 Security, Inc. reserves the right to change products or specifications*